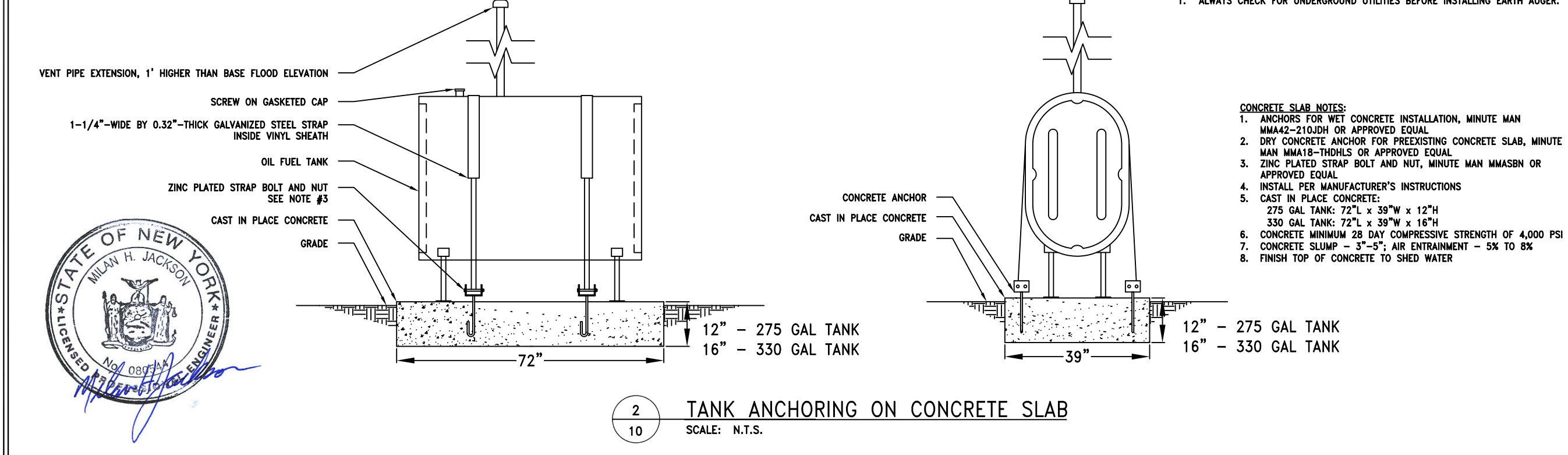


- GROUND ANCHOR NOTES:**
- EARTH AUGER CAPABILITY AND CAPACITY ARE PERTINENT TO SOIL CONDITIONS. SOIL TESTING TO BE PERFORMED PRIOR TO EARTH AUGER INSTALLATION.
 - SANDY GRAVEL AND GRAVEL; VERY DENSE OR CEMENTED SANDS; COURSE GRAVE/COBBLES; PRELOADED SILTS, CLAYS AND CORALS; SOILS REQUIRE MINIMUM OF 30" ANCHOR WITH (2) 4" HELIX AUGER
 - SANDY; SILTY SAND; CLAYEY SAND; SILTY GRAVEL; MEDIUM DENSE COURSE SANDS; SANDY GRAVEL; AND VERY STIFF SILT, SAND CLAY; SOILS REQUIRE MINIMUM OF 34" ANCHOR WITH (1) 6" HELIX AUGER
 - LOOSE TO MEDIUM DENSE SANDS; FIRM TO STIFF CLAYS AND SILTS; ALLUVIAL FILLS; SOILS REQUIRE MINIMUM OF 48" ANCHOR WITH (1) 6" HELIX AUGER
 - LOOSE SANDS; FIRM CLAYS; ALLUVIAL FILLS; SOILS REQUIRE MINIMUM OF 60" ANCHOR WITH (1) 6" HELIX AUGER
 - TANK SUPPORT LEGS VARY, DEPENDING ON MANUFACTURE'S DESIGN. EACH LEG TO BR SET ON UNREINFORCED CONCRETE FOOTING PAD 3"H x 6"W x 12"L
 - GROUND ANCHORS GALVANIZED STEEL 3/4" - DIAMETER WITH HELIX AUGER, MINUTE MAN OR APPROVED EQUAL
 - ZINC PLATED STRAP BOLT AND NUT, MINUTE MAN MMASBN OR APPROVED EQUAL
 - INSTALL PER MANUFACTURER'S INSTRUCTIONS

1 TANK ANCHORING WITH EARTH AUGER
SCALE: N.T.S.

- DIG SAFE NOTES:**
- ALWAYS CHECK FOR UNDERGROUND UTILITIES BEFORE INSTALLING EARTH AUGER.



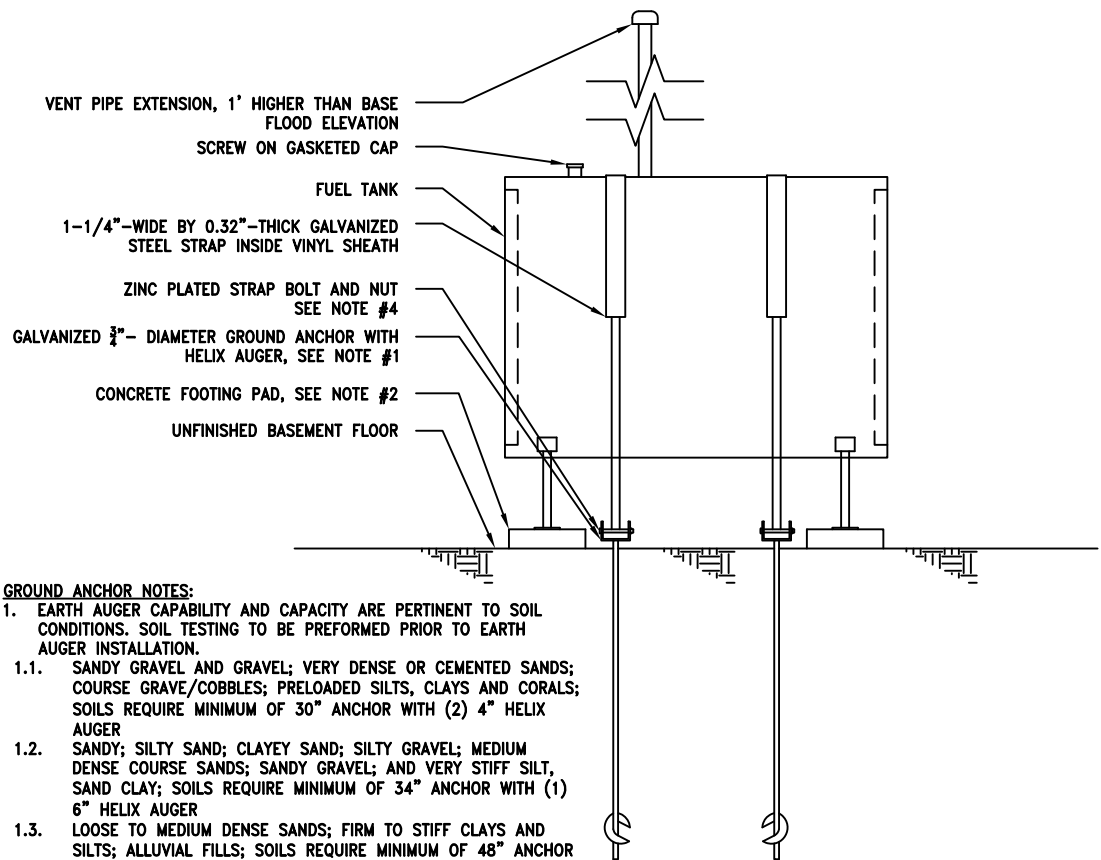
2 TANK ANCHORING ON CONCRETE SLAB
SCALE: N.T.S.

- CONCRETE SLAB NOTES:**
- ANCHORS FOR WET CONCRETE INSTALLATION, MINUTE MAN MMA42-210JDH OR APPROVED EQUAL
 - DRY CONCRETE ANCHOR FOR PREEXISTING CONCRETE SLAB, MINUTE MAN MMA18-THDHL OR APPROVED EQUAL
 - ZINC PLATED STRAP BOLT AND NUT, MINUTE MAN MMASBN OR APPROVED EQUAL
 - INSTALL PER MANUFACTURER'S INSTRUCTIONS
 - CAST IN PLACE CONCRETE:
 - 275 GAL TANK: 72"L x 39"W x 12"H
 - 330 GAL TANK: 72"L x 39"W x 16"H
 - CONCRETE MINIMUM 28 DAY COMPRESSIVE STRENGTH OF 4,000 PSI
 - CONCRETE SLUMP - 3"-5"; AIR ENTRAINMENT - 5% TO 8%
 - FINISH TOP OF CONCRETE TO SHED WATER

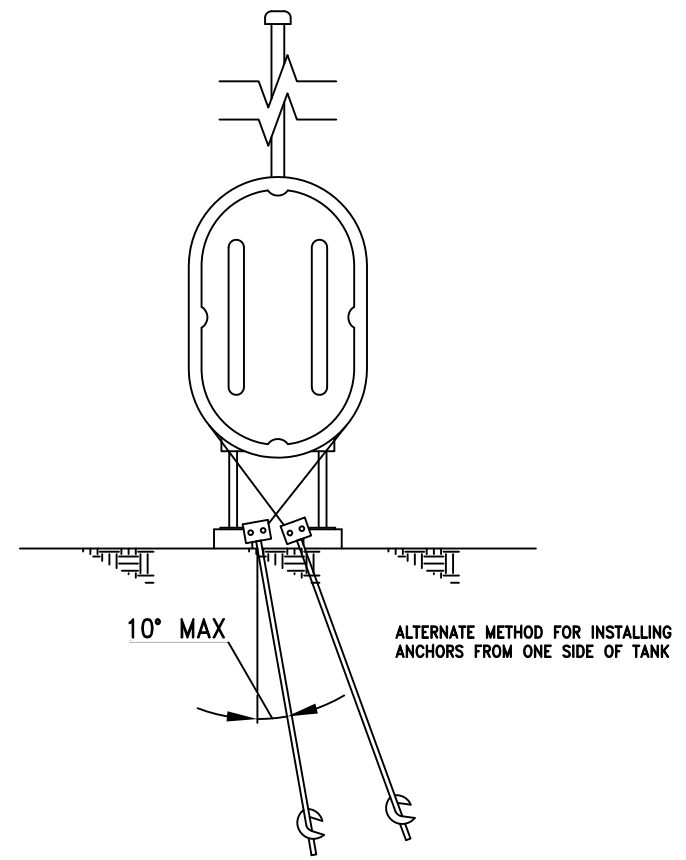
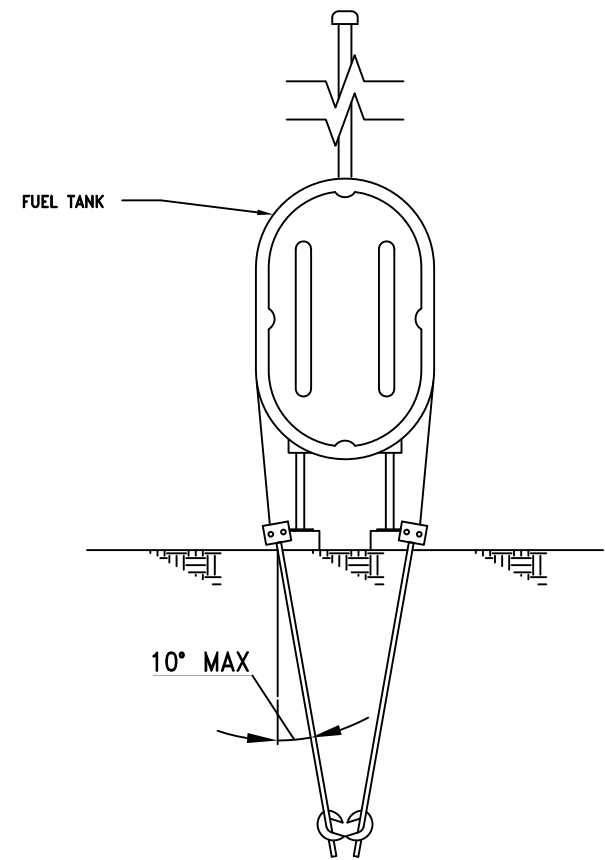
CATSKILL WATERSHED CORPORATION
RESIDENTIAL FUEL STORAGE TANKS
ANCHORING DETAILS

ABOVE GRADE
FUEL STORAGE
TANK
275 & 330
GALLON

Sheet No. 10

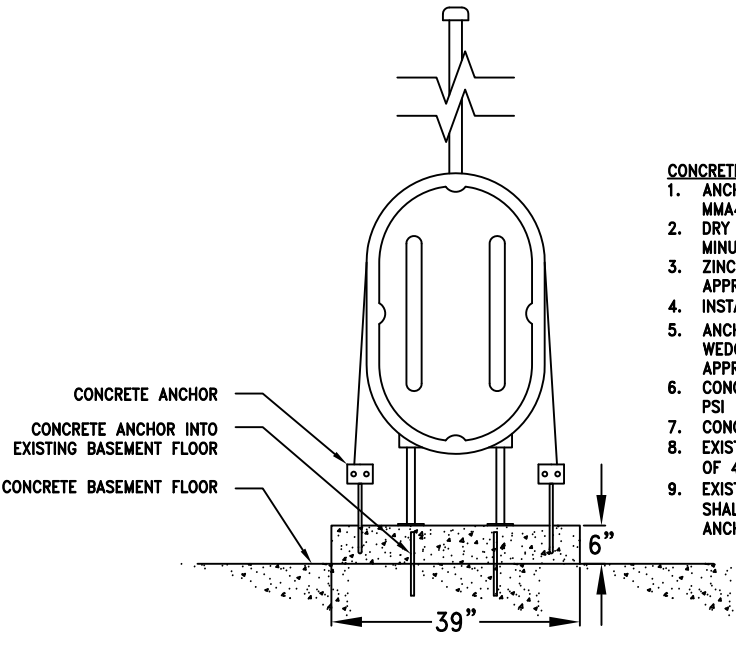
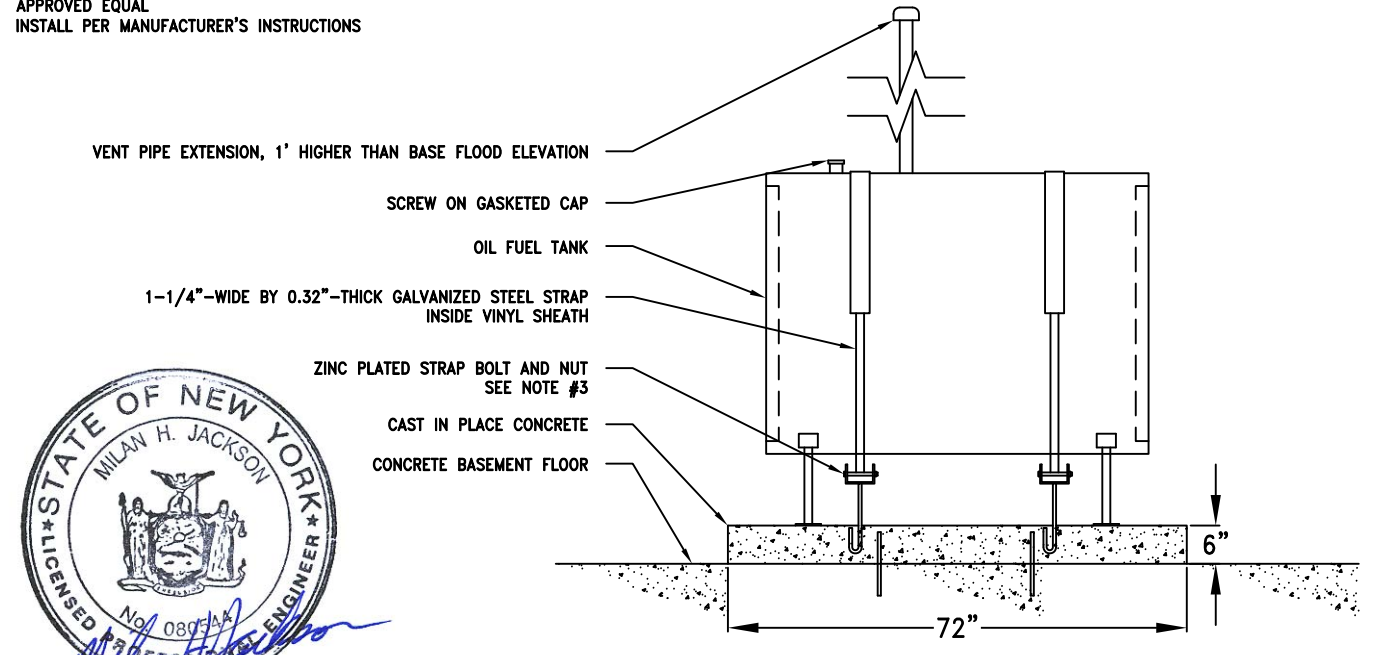


- GROUND ANCHOR NOTES:**
- EARTH AUGER CAPABILITY AND CAPACITY ARE PERTINENT TO SOIL CONDITIONS. SOIL TESTING TO BE PERFORMED PRIOR TO EARTH AUGER INSTALLATION.
 - SANDY GRAVEL AND GRAVEL; VERY DENSE OR CEMENTED SANDS; COURSE GRAVE/COBBLES; PRELOADED SILTS, CLAYS AND CORALS; SOILS REQUIRE MINIMUM OF 30" ANCHOR WITH (2) 4" HELIX AUGER
 - SANDY; SILTY SAND; CLAYEY SAND; SILTY GRAVEL; MEDIUM DENSE COURSE SANDS; SANDY GRAVEL; AND VERY STIFF SILT, SAND CLAY; SOILS REQUIRE MINIMUM OF 34" ANCHOR WITH (1) 6" HELIX AUGER
 - LOOSE TO MEDIUM DENSE SANDS; FIRM TO STIFF CLAYS AND SILTS; ALLUVIAL FILLS; SOILS REQUIRE MINIMUM OF 48" ANCHOR WITH (1) 6" HELIX AUGER
 - LOOSE SANDS; FIRM CLAYS; ALLUVIAL FILLS; SOILS REQUIRE MINIMUM OF 60" ANCHOR WITH (1) 6" HELIX AUGER
 - TANK SUPPORT LEGS VARY, DEPENDING ON MANUFACTURE'S DESIGN. EACH LEG TO BE SET ON UNREINFORCED CONCRETE FOOTING PAD 3"H x 6"W x 12"L
 - GROUND ANCHORS GALVANIZED STEEL 3/4" - DIAMETER WITH HELIX AUGER, MINUTE MAN OR APPROVED EQUAL
 - ZINC PLATED STRAP BOLT AND NUT, MINUTE MAN MNASBN OR APPROVED EQUAL
 - INSTALL PER MANUFACTURER'S INSTRUCTIONS



1 TANK ANCHORING WITH EARTHEN FLOOR
20 SCALE: N.T.S.

- DIG SAFE NOTES:**
- ALWAYS CHECK FOR UNDERGROUND UTILITIES BEFORE INSTALLING EARTH AUGER.



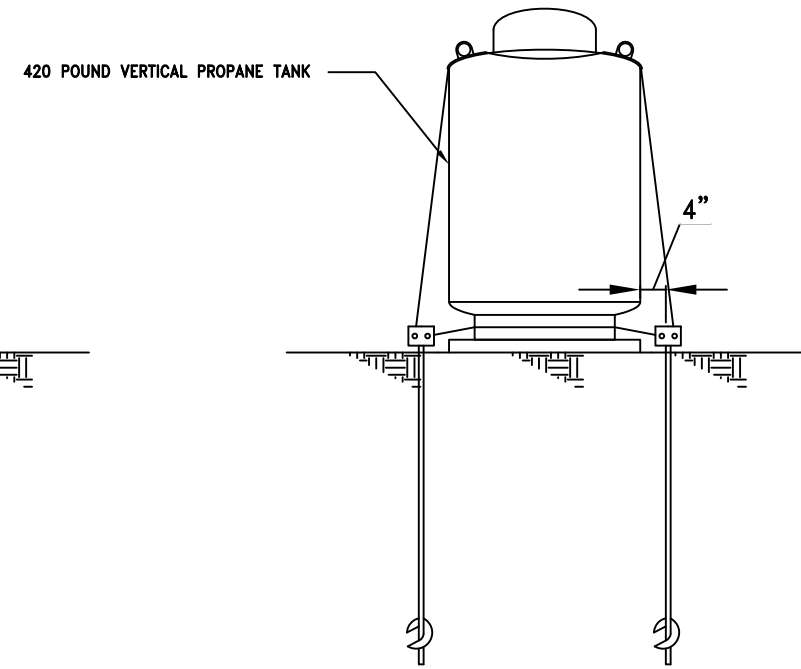
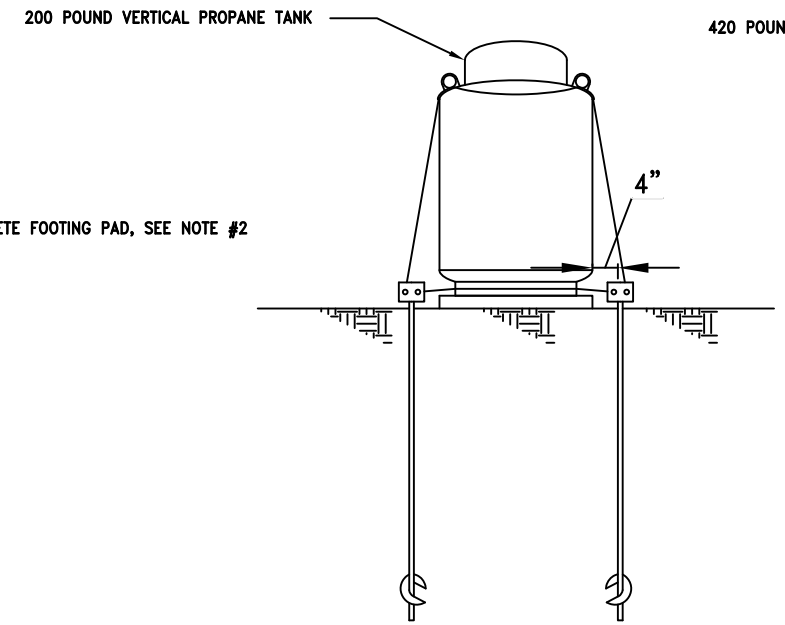
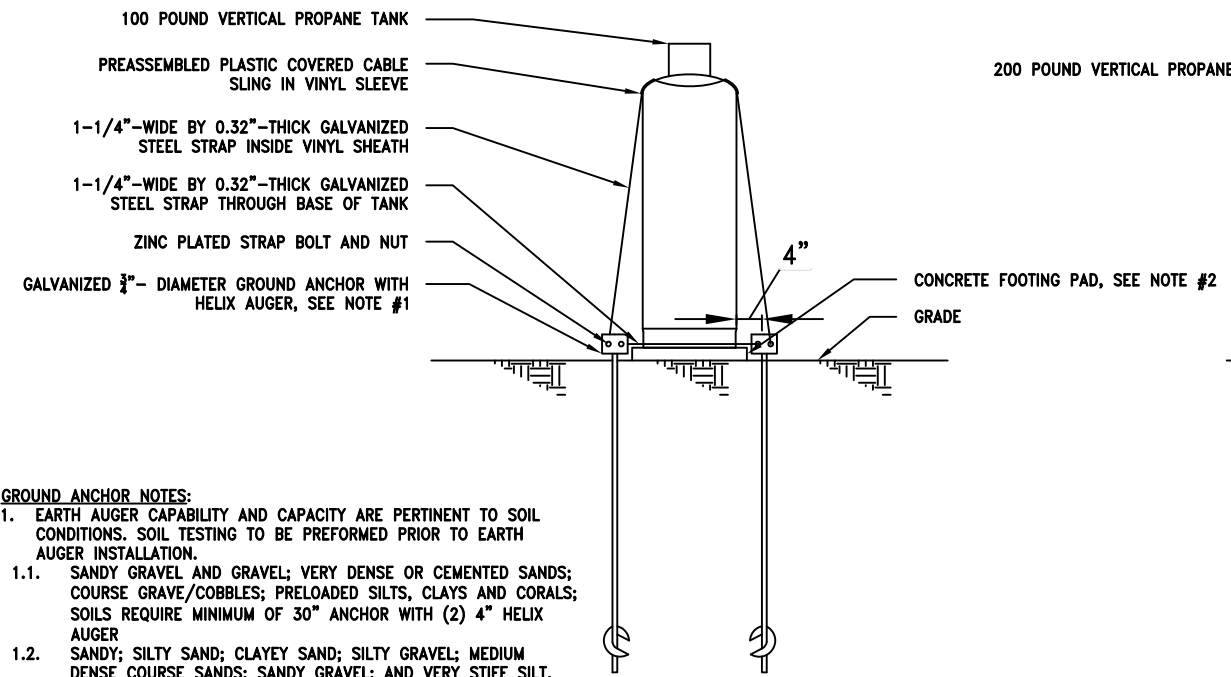
- CONCRETE SLAB NOTES:**
- ANCHORS FOR WET CONCRETE INSTALLATION, MINUTE MAN MMA42-210JDH OR APPROVED EQUAL
 - DRY CONCRETE ANCHOR FOR PREEXISTING CONCRETE SLAB, MINUTE MAN MMA18-THDHL OR APPROVED EQUAL
 - ZINC PLATED STRAP BOLT AND NUT, MINUTE MAN MNASBN OR APPROVED EQUAL
 - INSTALL PER MANUFACTURER'S INSTRUCTIONS
 - ANCHOR INTO BASEMENT FLOOR 3/4" DIAMETER, 6-1/4" LENGTH WEDGE ANCHOR, SIMPSON STRONG-TIE STB2-75614-G10 OR APPROVED EQUAL
 - CONCRETE MINIMUM 28 DAY COMPRESSIVE STRENGTH OF 4,000 PSI
 - CONCRETE SLUMP - 3"-5"; AIR ENTRAINMENT - 5% TO 8%
 - EXISTING CONCRETE FLOOR SHALL HAVE A MINIMUM THICKNESS OF 4"
 - EXISTING CONCRETE FLOORS WITH LESS THAN 4" THICKNESS SHALL CUT AWAY CONCRETE AND USE EARTHEN AUGER ANCHORING SHOWN ABOVE IN DETAIL 1

2 OIL TANK ANCHORING ON CONCRETE FLOOR
20 SCALE: N.T.S.

CATSKILL WATERSHED CORPORATION
RESIDENTIAL FUEL STORAGE TANKS
ANCHORING DETAILS

INSIDE FUEL STORAGE TANK
275 & 330 GALLON

CATSKILL WATERSHED CORPORATION
RESIDENTIAL FUEL STORAGE TANKS
ANCHORING DETAILS



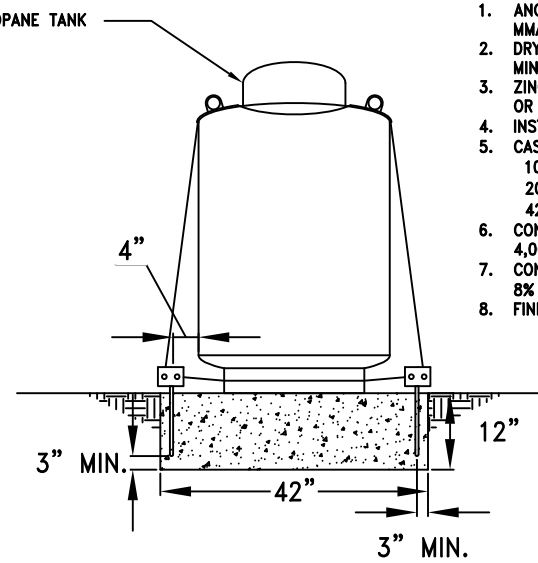
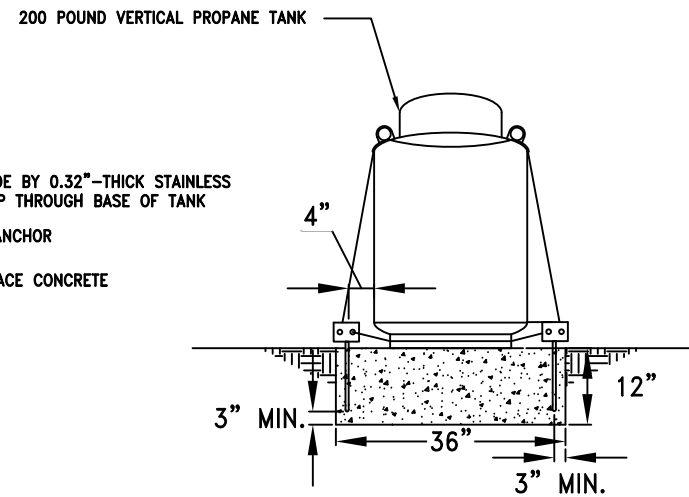
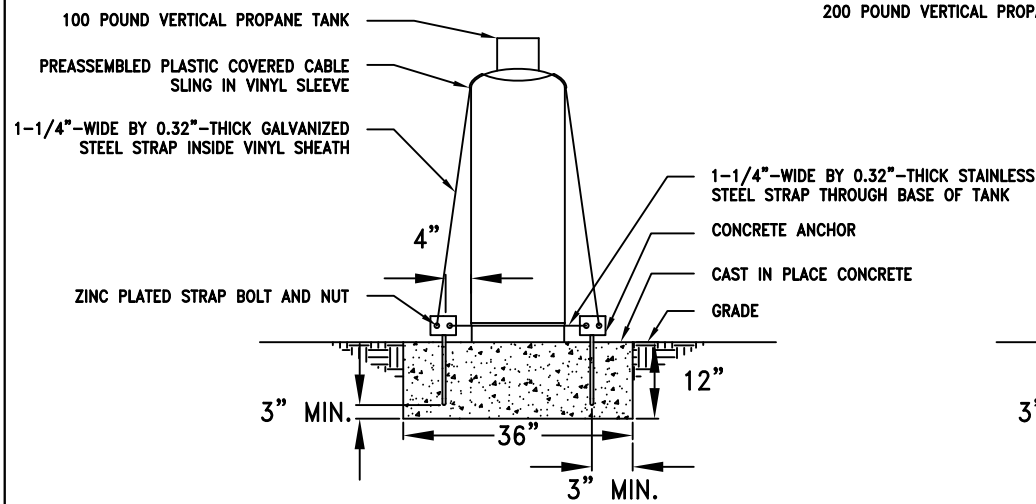
GROUND ANCHOR NOTES:

1. EARTH AUGER CAPABILITY AND CAPACITY ARE PERTINENT TO SOIL CONDITIONS. SOIL TESTING TO BE PERFORMED PRIOR TO EARTH AUGER INSTALLATION.
 - 1.1. SANDY GRAVEL AND GRAVEL; VERY DENSE OR CEMENTED SANDS; COURSE GRAVE/COBBLES; PRELOADED SILTS, CLAYS AND CORALS; SOILS REQUIRE MINIMUM OF 30" ANCHOR WITH (2) 4" HELIX AUGER
 - 1.2. SANDY; SILTY SAND; CLAYEY SAND; SILTY GRAVEL; MEDIUM DENSE COURSE SANDS; SANDY GRAVEL; AND VERY STIFF SILT, SAND CLAY; SOILS REQUIRE MINIMUM OF 34" ANCHOR WITH (1) 6" HELIX AUGER
 - 1.3. LOOSE TO MEDIUM DENSE SANDS; FIRM TO STIFF CLAYS AND SILTS; ALLUVIAL FILLS; SOILS REQUIRE MINIMUM OF 48" ANCHOR WITH (1) 6" HELIX AUGER
 - 1.4. LOOSE SANDS; FIRM CLAYS; ALLUVIAL FILLS; SOILS REQUIRE MINIMUM OF 60" ANCHOR WITH (1) 6" HELIX AUGER
2. TANK FOOTING SUPPORTS VARY, DEPENDING ON MANUFACTURER'S DESIGN. EACH TANK TO BE SET ON UNREINFORCED CONCRETE FOOTING PAD. 100LB TANK: 2'Hx18"Wx18"L, 200LB TANK: 2'Hx24"Wx24"L, 420LB TANK: 2'Hx30"Wx30"L
3. GROUND ANCHORS GALVANIZED STEEL 3/8" - DIAMETER WITH HELIX AUGER, MINUTE MAN OR APPROVED EQUAL
4. ZINC PLATED STRAP BOLT AND NUT, MINUTE MAN MMASBN OR APPROVED EQUAL
5. INSTALL PER MANUFACTURER'S INSTRUCTIONS

1 VERTICAL PROPANE TANK WITH EARTH AUGER
30 SCALE: N.T.S.

DIG SAFE NOTES:

1. ALWAYS CHECK FOR UNDERGROUND UTILITIES BEFORE INSTALLING EARTH AUGER.



CONCRETE SLAB NOTES:

1. ANCHORS FOR WET CONCRETE INSTALLATION, MINUTE MAN MMA42-210JDH OR APPROVED EQUAL
2. DRY CONCRETE ANCHOR FOR PREEXISTING CONCRETE SLAB, MINUTE MAN MMA18-THDHL OR APPROVED EQUAL
3. ZINC PLATED STRAP BOLT AND NUT, MINUTE MAN MMASBN OR APPROVED EQUAL
4. INSTALL PER MANUFACTURER'S INSTRUCTIONS
5. CAST IN PLACE CONCRETE
 - 100LB TANK: 36"W x 36"L x 12"H
 - 200LB TANK: 36"W x 36"L x 12"H
 - 420LB TANK: 42"W x 42"L x 12"H
6. CONCRETE MINIMUM 28 DAY COMPRESSIVE STRENGTH OF 4,000 PSI
7. CONCRETE SLUMP - 3"-5"; AIR ENTRAINMENT - 5% TO 8%
8. FINISH TOP OF CONCRETE TO SHED WATER

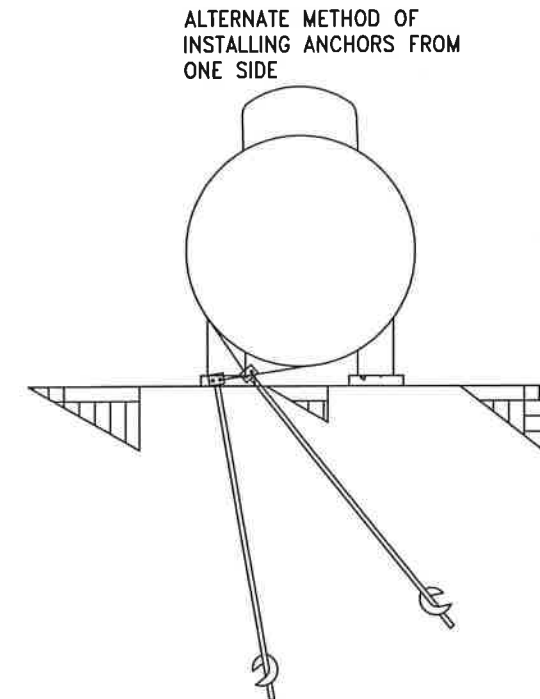
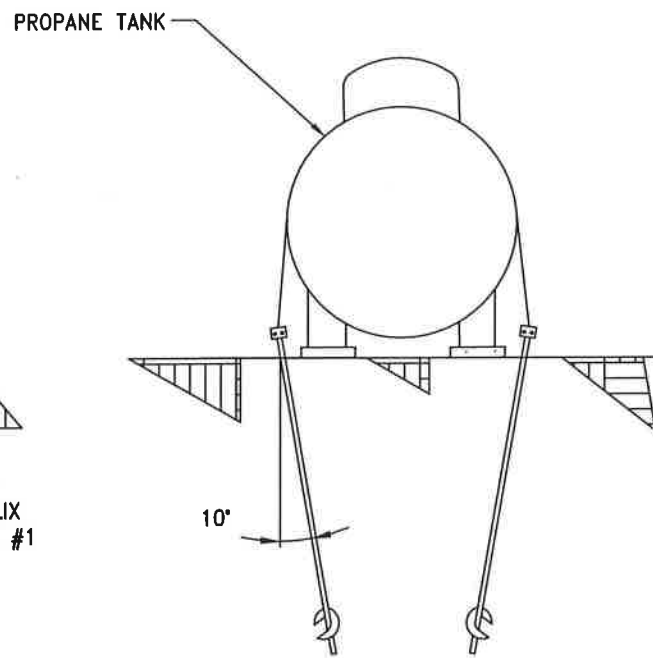
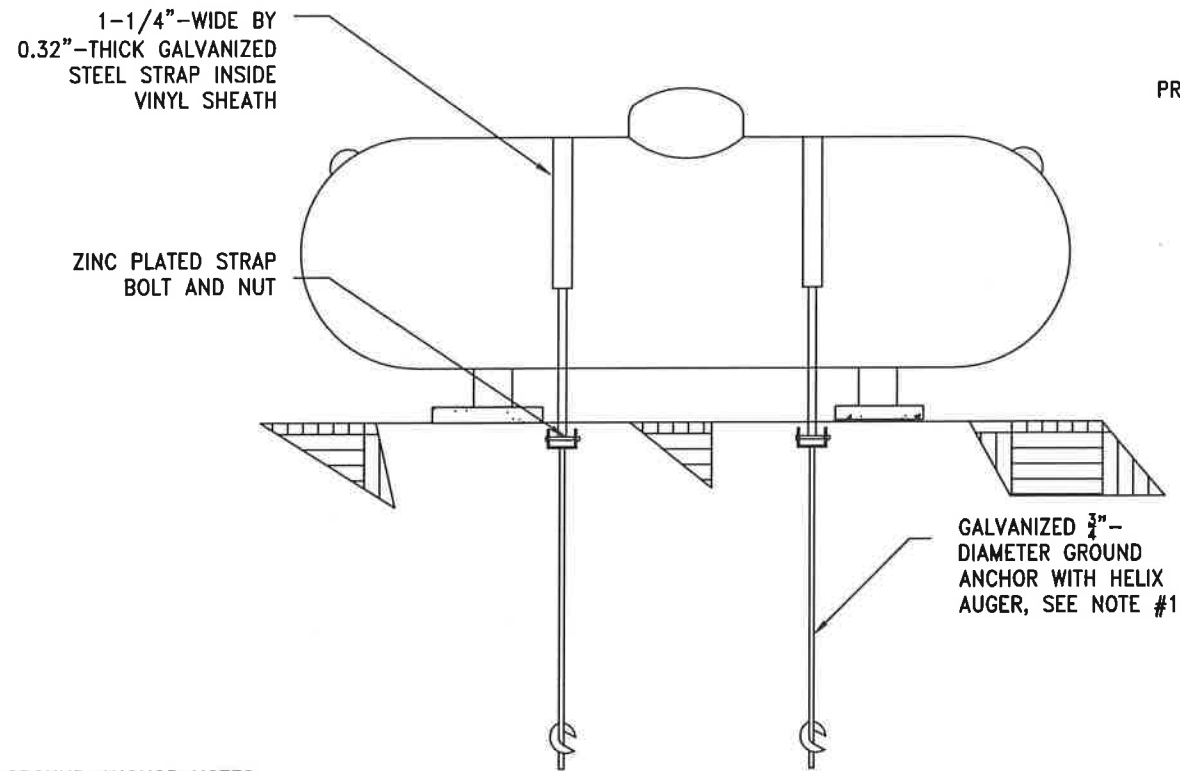
2 VERTICAL PROPANE TANK ON CONCRETE SLAB
30 SCALE: N.T.S.



PROPANE TANK
ANCHORING
100LB, 200LB
& 420LB

Sheet No.

30



1
40

HORIZONTAL PROPANE TANK WITH EARTH AUGER

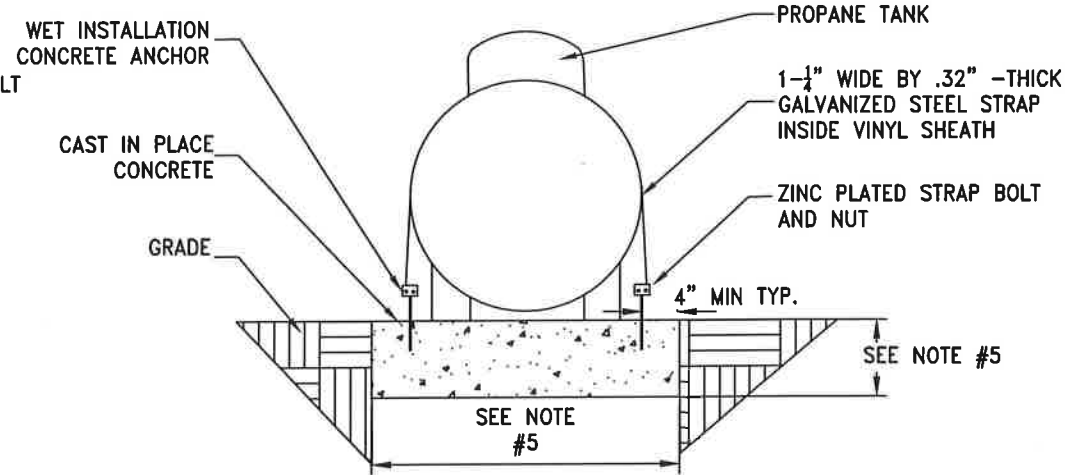
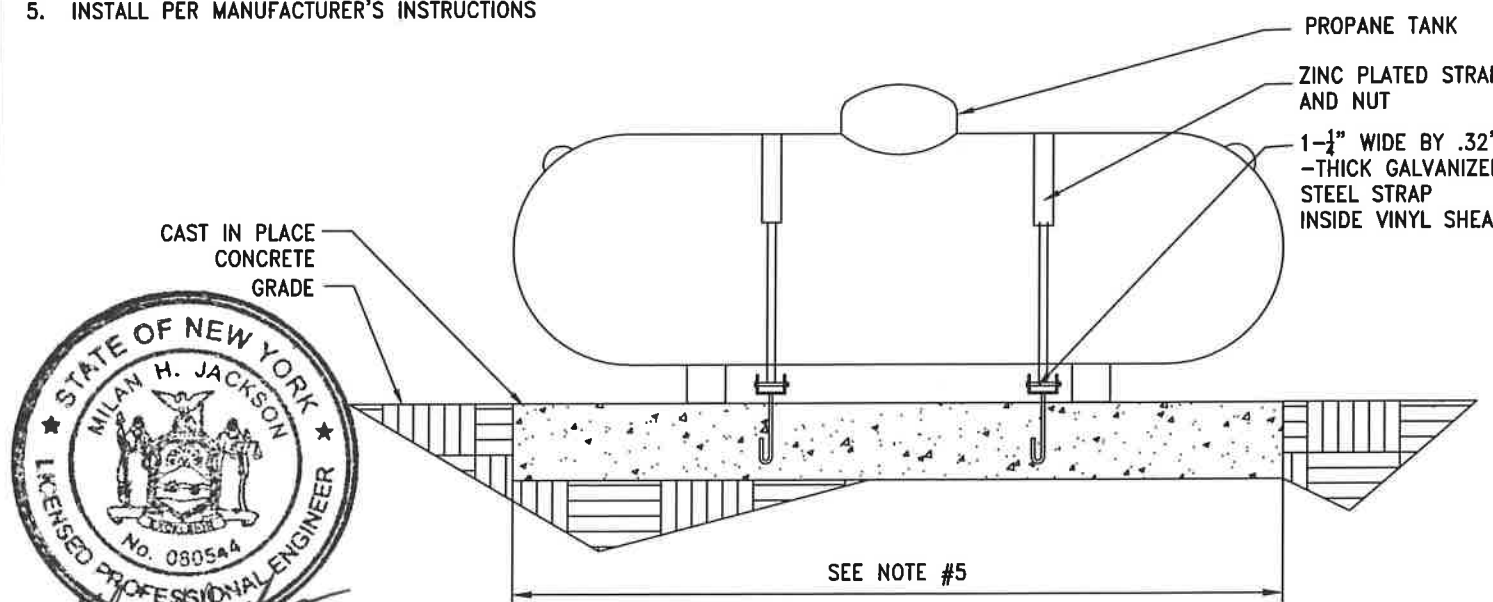
SCALE: N.T.S.

GROUND ANCHOR NOTES:

1. EARTH AUGER CAPABILITY AND CAPACITY ARE PERTINENT TO SOIL CONDITIONS. SOIL TESTING TO BE PERFORMED PRIOR TO EARTH AUGER INSTALLATION.
 - 1.1. SANDY GRAVEL AND GRAVEL; VERY DENSE OR CEMENTED SANDS; COURSE GRAVE/COBBLES; PRELOADED SILTS, CLAYS AND CORALS; SOILS REQUIRE MINIMUM OF 30" ANCHOR WITH (2) 4" HELIX AUGER
 - 1.2. SANDY; SILTY SAND; CLAYEY SAND; SILTY GRAVEL; MEDIUM DENSE COURSE SANDS; SANDY GRAVEL; AND VERY STIFF SILT, SAND CLAY; SOILS REQUIRE MINIMUM OF 34" ANCHOR WITH (2) 6" HELIX AUGER
 - 1.3. LOOSE TO MEDIUM DENSE SANDS; FIRM TO STIFF CLAYS AND SILTS; ALLUVIAL FILLS; SOILS REQUIRE MINIMUM OF 48" ANCHOR WITH (2) 6" HELIX AUGER
 - 1.4. LOOSE SANDS; FIRM CLAYS; ALLUVIAL FILLS; SOILS REQUIRE MINIMUM OF 60" ANCHOR WITH (2) 6" HELIX AUGER
2. TANK FOOTING SUPPORTS VARY, DEPENDING ON MANUFACTURER'S DESIGN. EACH TANK TO BE SET ON NON-REINFORCED CONCRETE FOOTING PAD OR POLYMER FOOTERS.
3. GROUND ANCHORS GALVANIZED STEEL 3/4" - DIAMETER WITH HELIX AUGER, MINUTE MAN OR APPROVED EQUAL
4. ZINC PLATED STRAP BOLT AND NUT, MINUTE MAN MMASBN OR APPROVED EQUAL
5. INSTALL PER MANUFACTURER'S INSTRUCTIONS

CONCRETE SLAB NOTES:

1. ANCHORS FOR WET CONCRETE INSTALLATION, MINUTE MAN MMA42-210JDH - 6"
2. DRY CONCRETE ANCHOR FOR PREEXISTING CONCRETE SLAB, MINUTE MAN MMA 18-THDHL
3. ZINC PLATED STRAP AND BOLT AND NUT, MINUTE MAN MMASBN
4. INSTALL PER MANUFACTURER'S INSTRUCTIONS
5. CAST IN PLACE CONCRETE
 - 5.1. 500 GAL TANK 45"W X 120"L X 12"H
 - 5.2. 1000 GAL TANK 49"W X 192"L X 12"H
6. CONCRETE MINIMUM 28 DAY COMPRESSIVE STRENGTH OF 4,000 PSI
7. CONCRETE SLUMP - 3"-5"; AIR ENTRAINMENT - 5% TO 8%
8. FINISH TOP OF CONCRETE TO SHED WATER



2
40

HORIZONTAL PROPANE TANK ON CONCRETE SLAB

SCALE: N.T.S.



CATSKILL WATERSHED CORPORATION
RESIDENTIAL FUEL STORAGE TANKS
ANCHORING DETAILS

PROPANE TANK
ANCHORING
500 GAL
1000 GAL